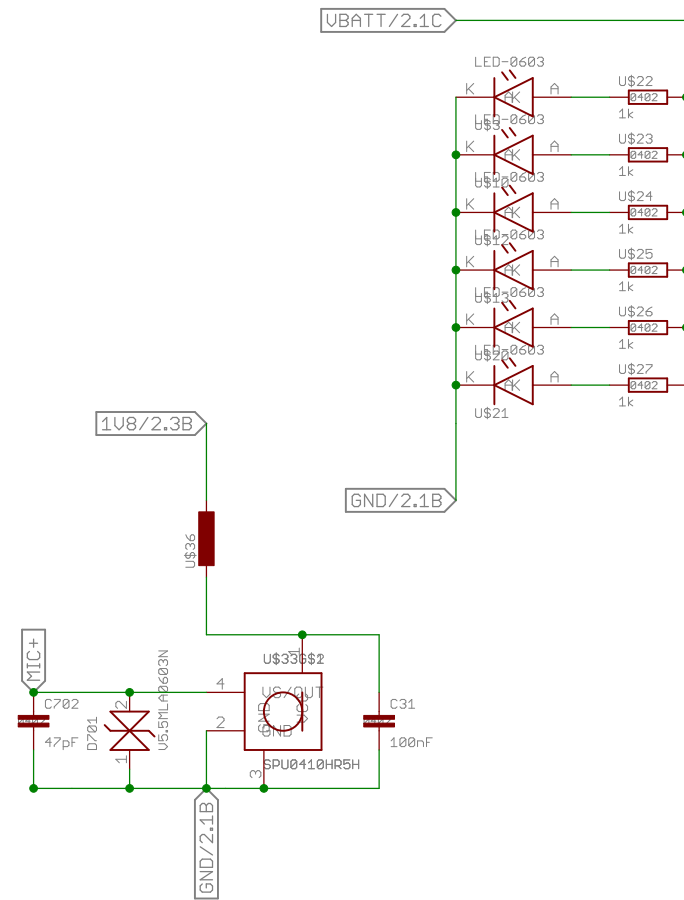
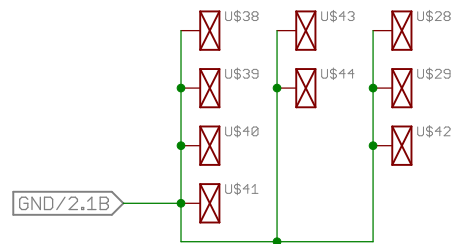
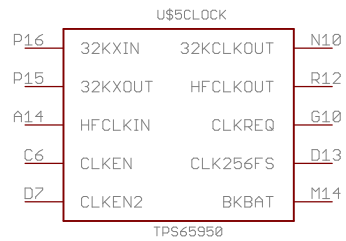


eMMC



Keypad

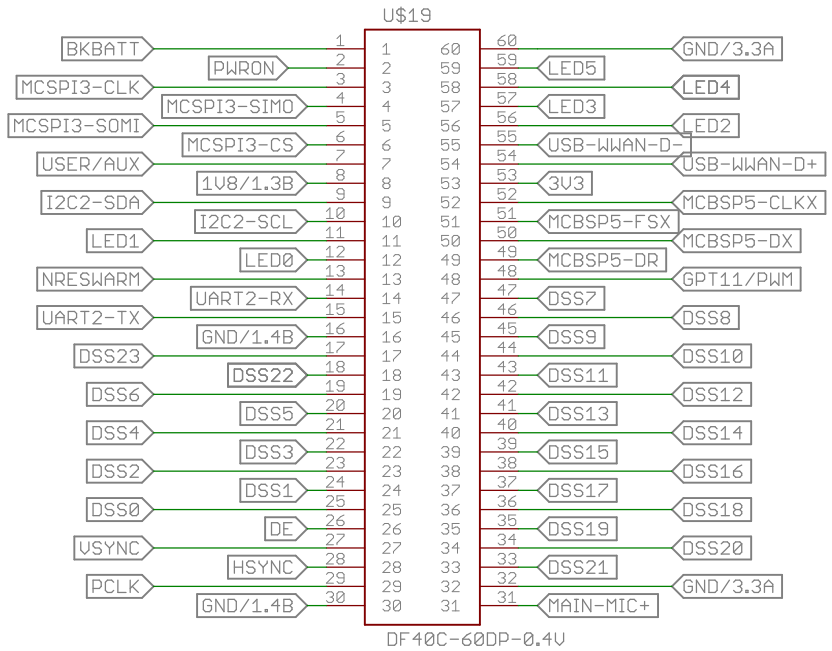
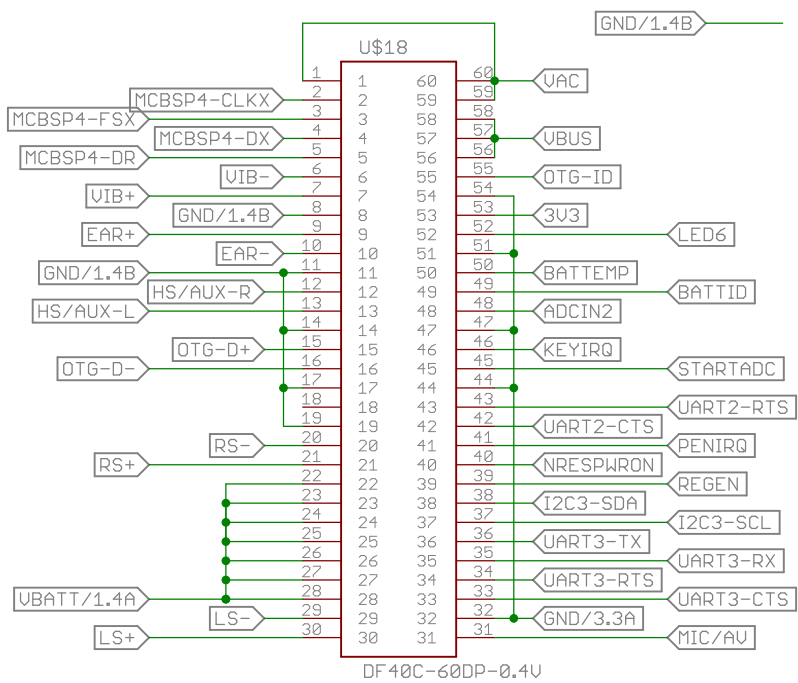
TITLE: GTA04b7_upper

Document Number:

REV:

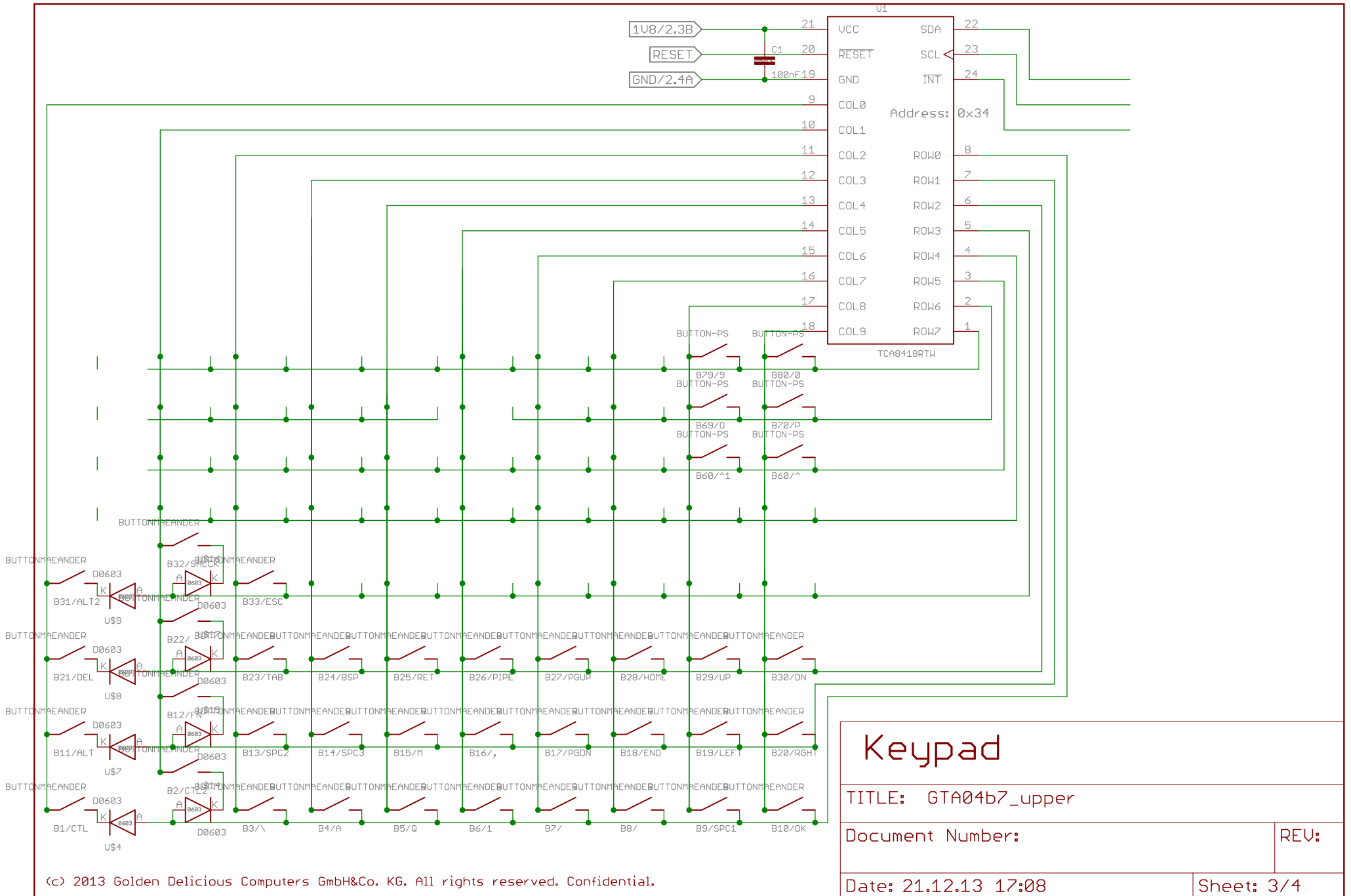
Date: 21.12.13 17:08

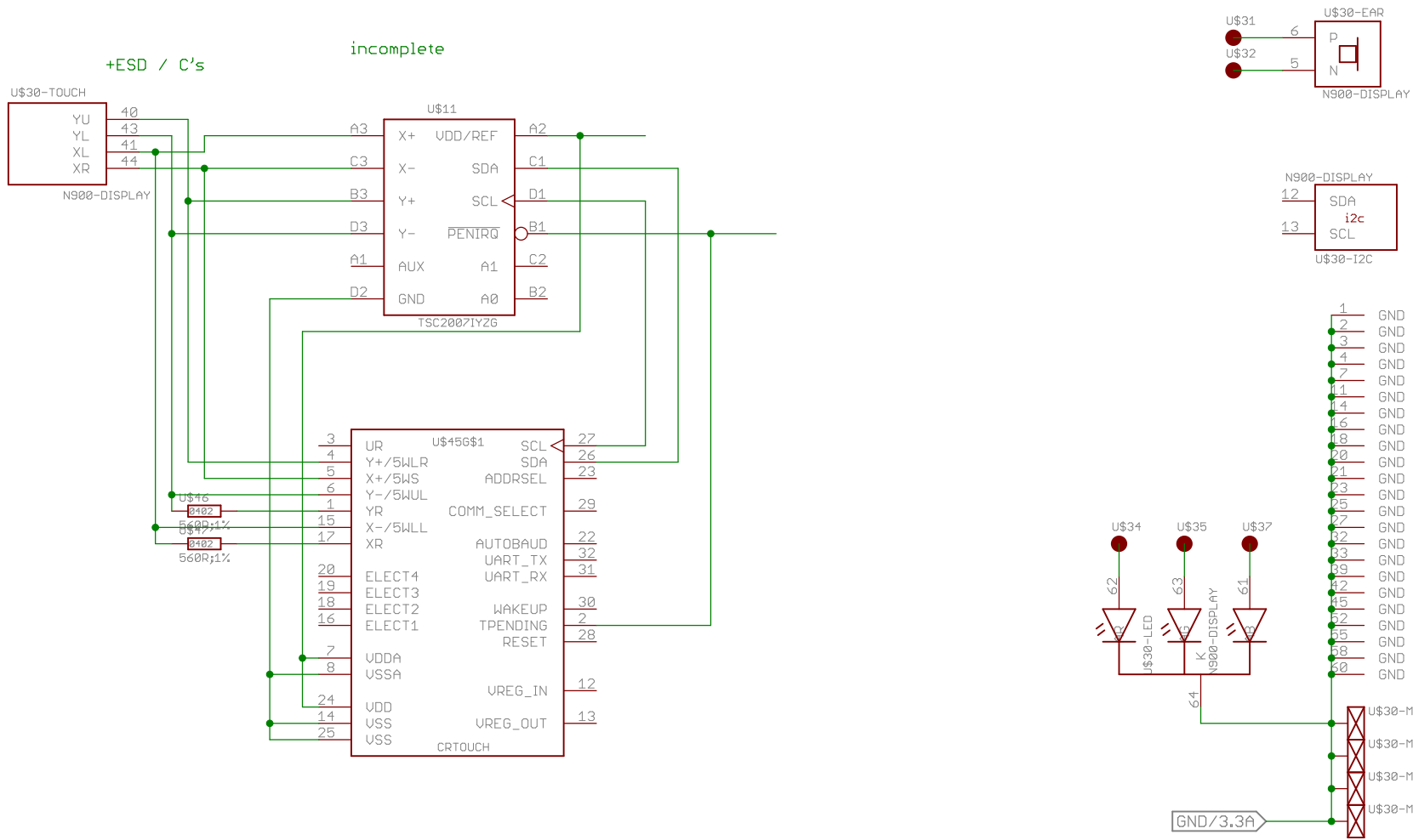
Sheet: 1/4



Keypad

TITLE: GTA04b7_upper	
Document Number:	REU:
Date: 21.12.13 17:08	Sheet: 2/4





<h1>Display</h1>	
TITLE: GTA04b7_upper	
Document Number:	REV:
Date: 21.12.13 17:08	Sheet: 4/4